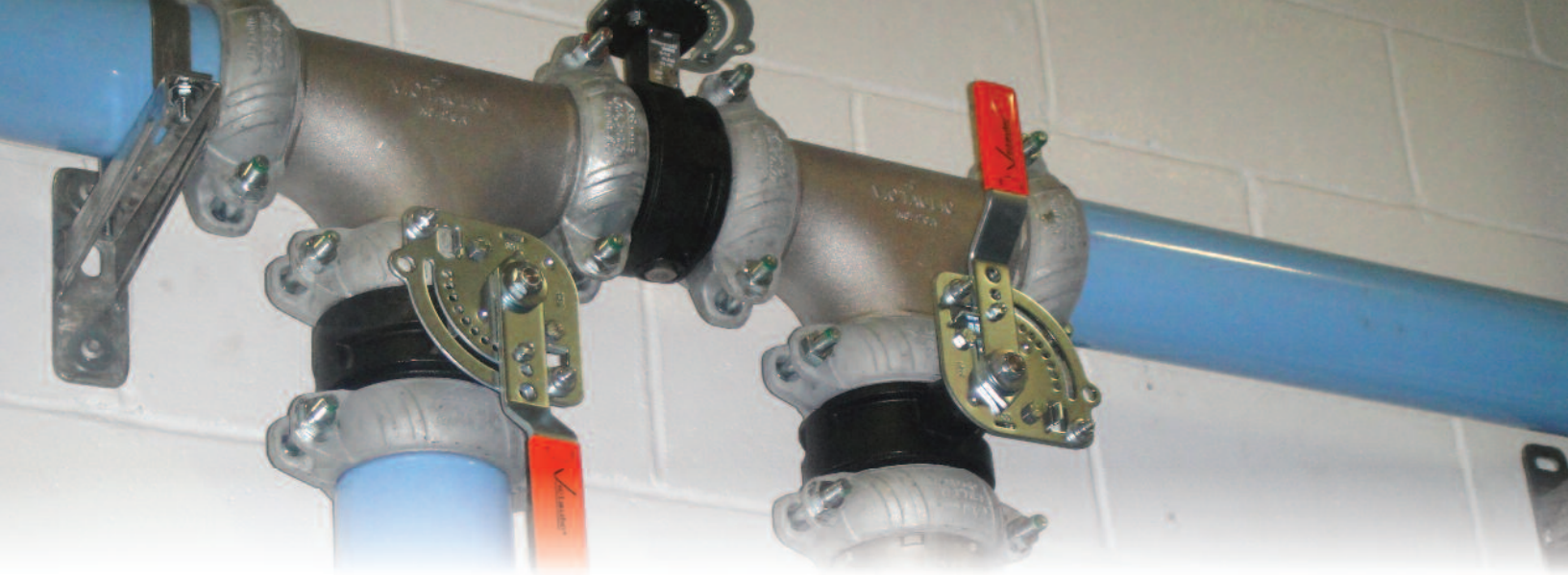




Large Capacity Aluminum Piping System



www.elevationpiping.com



High Quality Aluminum Piping Systems

Simply stated there is no equal. 'Elevation' from Applied System Technologies (AST), has taken large diameter piping systems to a new level.

Ten times lighter than steel, without compromising any structural strength, the system is easier to install than plastic and delivers a quality of air, gas or vacuum that is equal to that of high cost welded stainless steel systems.

The secret of the Elevation system is twofold. First is the tubing design. Elevation is manufactured from marine grade aluminum that affords it the highest level of protection against contamination. This ensures that the media traveling through a system encounters very little turbulence, while enabling high flow rates with minimal pressure losses compared to conventional steel systems.

Secondly, Elevation incorporates the world's most highly accepted grooved fitting design. All mechanical contractors will understand the technology and will be able to install an Elevation system. We ensure that all fittings coming into contact with the media flowing through a system are manufactured from high quality aluminum so that system integrity will never be compromised. Zero contamination is a priority; it is the only solution to achieve the lowest cost of ownership when operating a piping system.

Elevation provides a simple solution for large air/gas/vacuum users and is, without a doubt, the easiest and fastest system to install. It has the lowest cost of ownership and the best quality of media delivery available.

Outstanding performance from an outstanding product is what we demand and what you should expect from our system.



www.elevationpiping.com



Elevation Complete - now switch to Infinity to provide the total solution

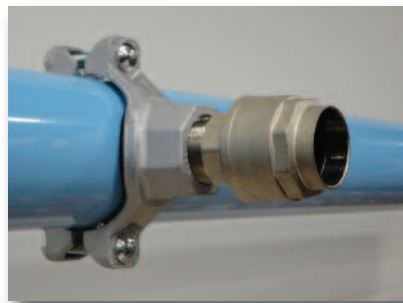
Once you have installed an Elevation header, it is common to have smaller diameter piping for drops and solid line hook ups to machines and equipment.

Infinity, like Elevation, promotes a total metal solution with bore sizes from 20mm (3/4") up to 63mm (2-1/2"). The piping is manufactured in the same marine grade aluminum as Elevation but promotes a different range and style of fittings.

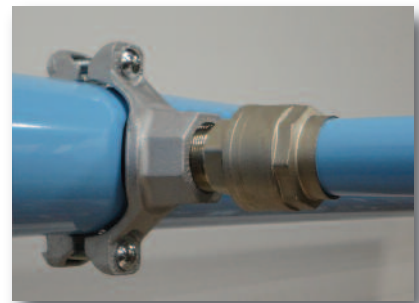
Infinity fittings are made from solid brass and nickel-plated to provide a strong and non-corrosive solution. The fitting design is a simple "push to connect" system and requires minimal skill, effort or tooling to install.



Attach saddle clamp to Elevation pipe with female threaded connection



Screw male thread connector into female connector



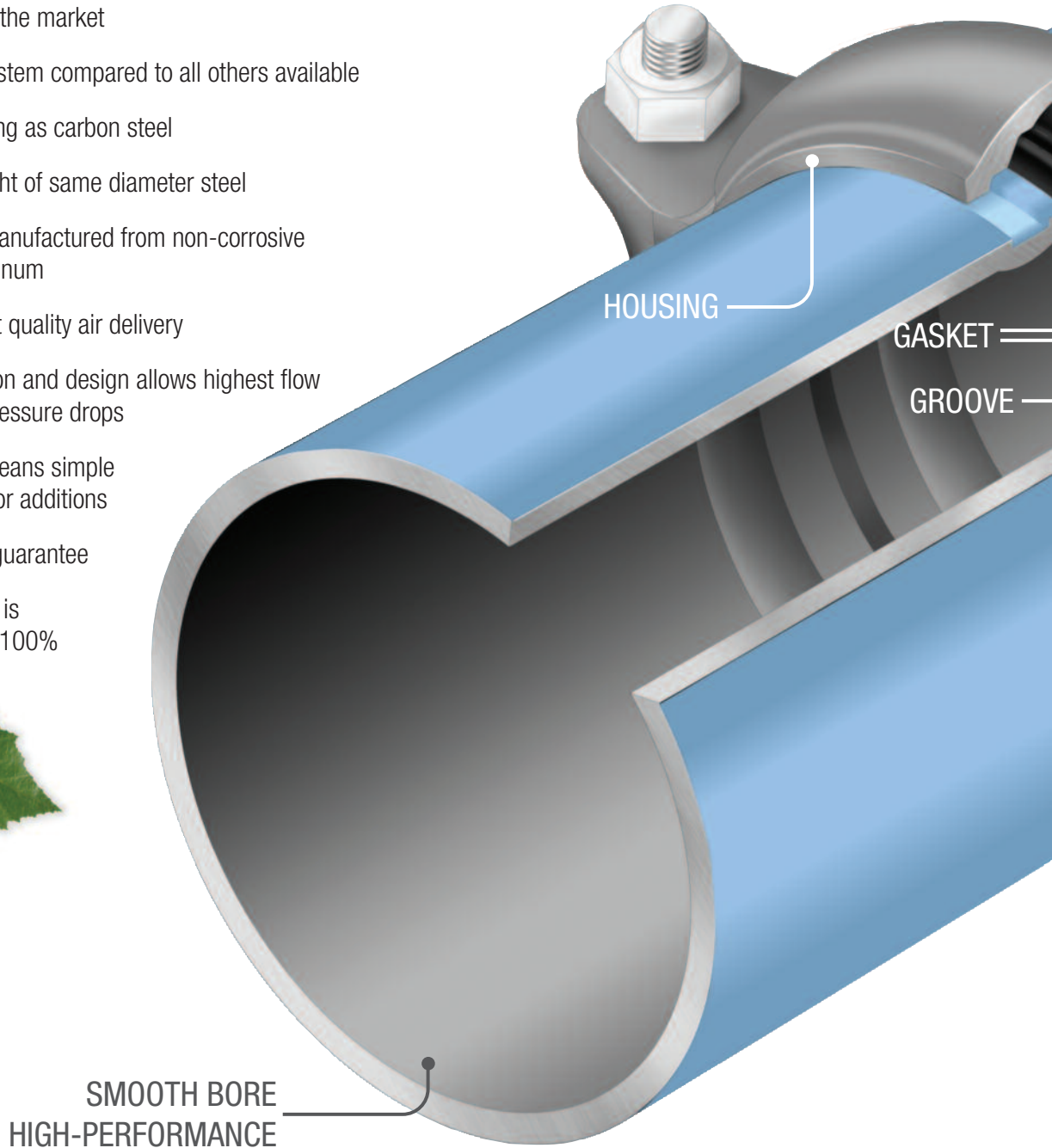
Attach Infinity piping to fitting

It could not be easier

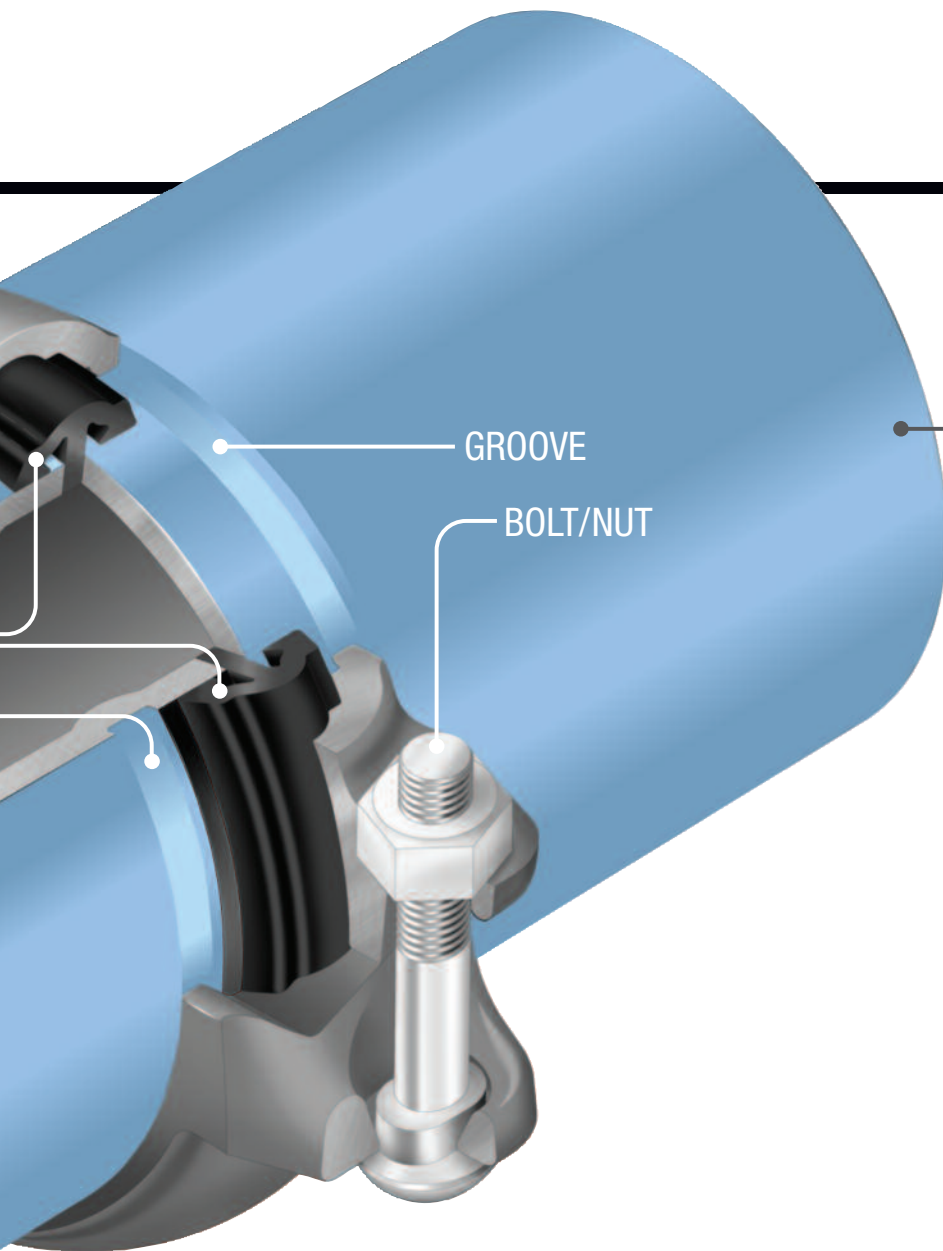
Simply drill a hole in the Elevation piping and fix an outlet saddle clamp around the tubing to leave a female threaded connection that allows for the simple conversion between Elevation and Infinity.

High Quality Aluminum Piping Systems

- Lightest product in the market
- Fastest installed system compared to all others available
- Structurally as strong as carbon steel
- One-tenth the weight of same diameter steel
- Tube and fittings manufactured from non-corrosive marine grade aluminum
- Guaranteed highest quality air delivery
- Material construction and design allows highest flow rates and lowest pressure drops
- System flexibility means simple modifications and/or additions
- Ten year leak free guarantee
- “Green” – Elevation is manufactured from 100% recyclable materials



www.elevationpiping.com



NON CORROSIVE MARINE
GRADE ALUMINUM TUBING

- Marine grade aluminum construction prevents rust and system deterioration
- Eliminates scale/corrosion from entering production equipment
- Zero corrosion eliminates expensive production downtime and dramatically reduces maintenance costs
- Smooth internal diameter of tube maintained throughout life of system
- Ensures lowest cost of ownership of any piping system available

Don't jeopardize air handling efficiency.

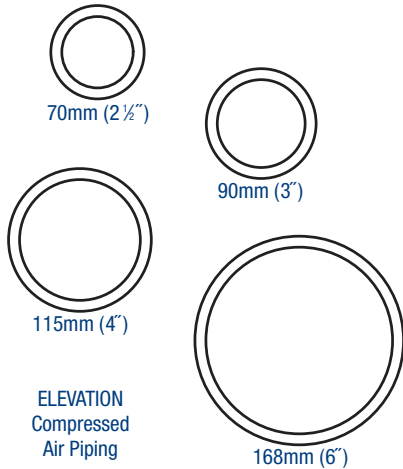


Compressed air piping is responsible for the delivery of compressed air to the point of use. Its material, age and condition impact both system reliability and air quality. Compressed air piping made from iron will rust and corrode, creating buildup on the interior and reducing the functional diameter. This buildup results in pressure drop within the system, contributing to high levels of contamination and poor air quality.



Components

*Blue Tubing is stock color.
Grey and Black are available
upon special order.*



Compressed Air Piping - Blue

		Part Number
70mm - ELEVATION Tubing Blue-16ft	<i>stock</i>	10000-70-AIR-BLUE
90mm - ELEVATION Tubing Blue-16ft	<i>stock</i>	10000-90 -AIR-BLUE
115mm - ELEVATION Tubing Blue-16ft	<i>stock</i>	10000-115-AIR-BLUE
168mm - ELEVATION Tubing Blue-16ft	<i>stock</i>	10000-168-AIR-BLUE

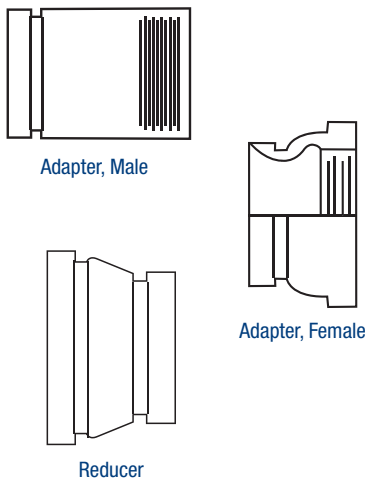
Vacuum Piping - Grey

70mm - ELEVATION Tubing Grey-16ft	<i>non stock</i>	10000-70-VAC-GREY
90mm - ELEVATION Tubing Grey-16ft	<i>non stock</i>	10000-90-VAC-GREY
115mm - ELEVATION Tubing Grey-16ft	<i>non stock</i>	10000-115-VAC-GREY
168mm - ELEVATION Tubing Grey-16ft	<i>non stock</i>	10000-168-VAC-GREY

Inert Gases Piping - Black

70mm - ELEVATION Tubing Black-16ft	<i>non stock</i>	10000-70-GAS-BLACK
90mm - ELEVATION Tubing Black-16ft	<i>non stock</i>	10000-90-GAS-BLACK
115mm - ELEVATION Tubing Black-16ft	<i>non stock</i>	10000-115-GAS-BLACK
168mm - ELEVATION Tubing Black-16ft	<i>non stock</i>	10000-168-GAS-BLACK

*Adapters are supplied
without coupling*



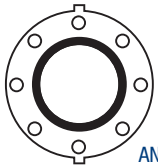
Adapters

			Part Number
Adapter, 70mm TUBE to 1 1/2"	NPT male	<i>supplied without coupling</i>	100011-70-24
Adapter, 70mm TUBE to 2"	NPT male	<i>supplied without coupling</i>	100011-70-32
Adapter, 70mm TUBE to 2 1/2"	NPT male	<i>supplied without coupling</i>	100011-70-40
Adapter, 70mm TUBE to 2 1/2"	NPT female	<i>supplied without coupling</i>	100011-70-40-F
Adapter, 90mm TUBE to 1 1/2"	NPT male	<i>supplied without coupling</i>	100011-90-24
Adapter, 90mm TUBE to 2"	NPT male	<i>supplied without coupling</i>	100011-90-32
Adapter, 90mm TUBE to 2 1/2"	NPT male	<i>supplied without coupling</i>	100011-90-40
Adapter, 90mm TUBE to 3"	NPT male	<i>supplied without coupling</i>	100011-90-48
Adapter, 90mm TUBE to 3"	NPT female	<i>supplied without coupling</i>	100011-90-48-F
Adapter, 115mm TUBE to 2"	NPT male	<i>supplied without coupling</i>	100011-115-32
Adapter, 115mm TUBE to 2 1/2"	NPT male	<i>supplied without coupling</i>	100011-115-40
Adapter, 115mm TUBE to 3"	NPT male	<i>supplied without coupling</i>	100011-115-48
Adapter, 115mm TUBE to 4"	NPT male	<i>supplied without coupling</i>	100011-115-64
Adapter, 115mm TUBE to 4"	NPT female	<i>supplied without coupling</i>	100011-115-64-F
Reducer, 90mm TUBE to 70mm TUBE		<i>supplied without coupling</i>	100014-90-70
Reducer, 115mm TUBE to 70mm TUBE		<i>supplied without coupling</i>	100014-115-70
Reducer, 115mm TUBE to 90mm TUBE		<i>supplied without coupling</i>	100014-115-90
Reducer, 168mm TUBE to 90mm TUBE		<i>supplied without coupling</i>	100014-96-48
Reducer, 168mm TUBE to 115mm TUBE		<i>supplied without coupling</i>	100014-96-64



www.elevationpiping.com

High Quality Aluminum Piping Systems



ANSI Flange

**Flanges Available
In Additional
Sizes On Request
(Special Order)**

**Kits Include
Flange, Reducer
and Coupling**

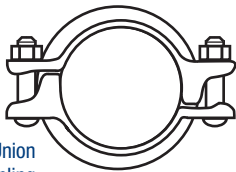
**Additional Flange Sizes
Available On Request
(Special Order)**

ANSI Flanges

	Part Number
Flange, 90mm TUBE to ANSI 3" 150 Flange	100012-48
Flange, 115mm TUBE to ANSI 4" 150 Flange	100012-64
Flange, 168mm TUBE to ANSI 6" 150 Flange	100012-96

ANSI Flange Adapter Kits

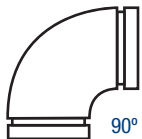
	Part Number
90mm TUBE to 6", ANSI 150 Flange <i>Includes flange, reducer & coupling</i>	100235-90-96
90mm TUBE to 4", ANSI 150 Flange <i>Includes flange, reducer & coupling</i>	100235-90-64
90mm TUBE to 2 1/2", ANSI 150 Flange <i>Includes flange, reducer & coupling</i>	100235-90-40
90mm TUBE to 2", ANSI 150 Flange <i>Includes flange, reducer & coupling</i>	100235-90-32
115mm TUBE to 6", ANSI 150 Flange <i>Includes flange, reducer & coupling</i>	100235-115-96
115mm TUBE to 3", ANSI 150 Flange <i>Includes flange, reducer & coupling</i>	100235-115-48
115mm TUBE to 2 1/2", ANSI 150 Flange <i>Includes flange, reducer & coupling</i>	100235-115-40
115mm TUBE to 2", ANSI 150 Flange <i>Includes flange, reducer & coupling</i>	100235-115-32



Straight Union
Coupling

Straight Union Couplings

	Part Number
Straight Union Coupling 70mm Rigid	100040-70-R
Straight Union Coupling 70mm Flexible Aluminum	100040-70-F
Straight Union Coupling 90mm Rigid	100040-90-R
Straight Union Coupling 90mm Flexible Aluminum	100040-90-F
Straight Union Coupling 115mm Rigid	100040-115-R
Straight Union Coupling 115mm Flexible Aluminum	100040-115-F
Straight Union Coupling 168mm Rigid	100040-168R
Straight Union Coupling 168mm Flexible Aluminum	100040-168F



90° Union Elbow

**Includes Two
Couplings**

90° Union Elbows with Couplings

	Part Number
Union Elbow 70mm <i>includes two couplings</i>	100130-70
Union Elbow 90mm <i>includes two couplings</i>	100130-90
Union Elbow 115mm <i>includes two couplings</i>	100130-115
Union Elbow 168mm <i>includes two couplings</i>	100130-168

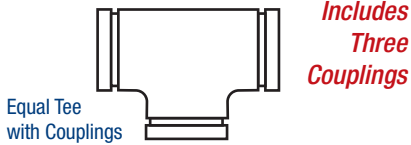


45° Union Elbow

**Includes Two
Couplings**

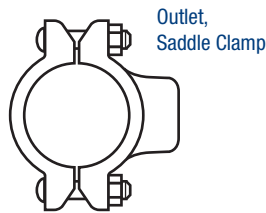
45° Union Elbows with Couplings

	Part Number
Union Elbow 45 deg. 70mm <i>includes two couplings</i>	100140-70
Union Elbow 45 deg. 90mm <i>includes two couplings</i>	100140-90
Union Elbow 45 deg. 115mm <i>includes two couplings</i>	100140-115
Union Elbow 45 deg. 168mm <i>includes two couplings</i>	100140-168



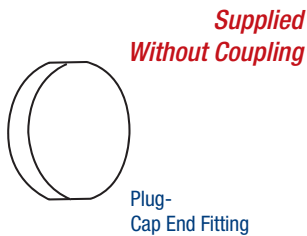
Equal Tee with Couplings

			Part Number
Junction Tee 70mm	<i>includes three couplings</i>		100230-70
Junction Tee 90mm	<i>includes three couplings</i>		100230-90
Junction Tee 115mm	<i>includes three couplings</i>		100230-115
Junction Tee 168mm	<i>includes three couplings</i>		100230-168



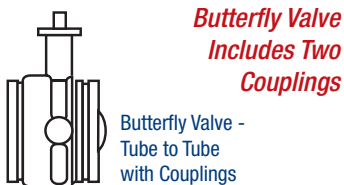
Outlet, Saddle Clamp

			Part Number
Saddle Clamp Outlet, 70mm X 1/2"	NPT female	<i>without coupling</i>	100234-70-08
Saddle Clamp Outlet, 70mm X 3/4"	NPT female	<i>without coupling</i>	100234-70-12
Saddle Clamp Outlet, 70mm X 1"	NPT female	<i>without coupling</i>	100234-70-16
Saddle Clamp Outlet, 70mm X 1 1/2"	NPT female	<i>without coupling</i>	100234-70-24
Saddle Clamp Outlet, 90mm X 3/4"	NPT female	<i>without coupling</i>	100234-90-12
Saddle Clamp Outlet, 90mm X 1"	NPT female	<i>without coupling</i>	100234-90-16
Saddle Clamp Outlet, 90mm X 1 1/2"	NPT female	<i>without coupling</i>	100234-90-24
Saddle Clamp Outlet, 90mm X 2"	NPT female	<i>without coupling</i>	100234-90-32
Saddle Clamp Outlet, 115mm X 3/4"	NPT female	<i>without coupling</i>	100234-115-12
Saddle Clamp Outlet, 115mm X 1"	NPT female	<i>without coupling</i>	100234-115-16
Saddle Clamp Outlet, 115mm X 1 1/2"	NPT female	<i>without coupling</i>	100234-115-24
Saddle Clamp Outlet, 115mm X 2"	NPT female	<i>without coupling</i>	100234-115-32
Saddle Clamp Outlet, 168mm X 1 1/2"	NPT female	<i>without coupling</i>	100234-168-24
Saddle Clamp Outlet, 168mm X 2"	NPT female	<i>without coupling</i>	100234-168-32
Saddle Clamp Outlet, 168mm X 115mm	Grooved	<i>without coupling</i>	100234-168-115
Saddle Clamp Outlet, 168mm X 90mm	Grooved	<i>without coupling</i>	100234-168-90



Plug - Cap End Fitting

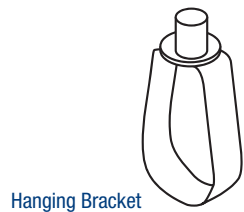
			Part Number
Plug Cap 70mm	Ductile Galv.	<i>without coupling</i>	100610-70-D
Plug Cap 90mm	Aluminum	<i>without coupling</i>	100610-90-A
Plug Cap 90mm	Ductile Galv.	<i>without coupling</i>	100610-90-D
Plug Cap 115mm	Aluminum	<i>without coupling</i>	100610-115-A
Plug Cap 115mm	Ductile Galv.	<i>without coupling</i>	100610-115-D
Plug Cap 168mm	Ductile Galv.	<i>without coupling</i>	100610-168-D



Butterfly Valve - Tube to Tube with Couplings

			Part Number
TEN POSITION - Butterfly valve, 70mm TUBE	<i>includes two couplings</i>		100700-70
TEN POSITION - Butterfly valve, 90mm TUBE	<i>includes two couplings</i>		100700-90
TEN POSITION - Butterfly valve, 115mm TUBE	<i>includes two couplings</i>		100700-115
TEN POSITION - Butterfly valve, 168mm TUBE	<i>includes two couplings</i>		100700-168

High Quality Aluminum Piping Systems



Hanging Bracket

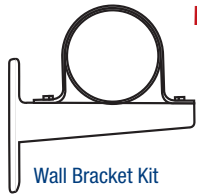
Hanging Brackets

	Part Number
Pipe Hanger (3/8" female insert) 70mm - Steel	100820-70
Pipe Hanger (3/8" female insert) 90mm - Steel	100820-90
Pipe Hanger (3/8" female insert) 115mm - Steel	100820-115
Pipe Hanger (1/2" female insert) 168mm - Steel	<i>includes washer adapter to fit 3/8" hanger</i> 100820-168
Bracket, hanging/wall (3/8" female) 90mm - Nylon	100810-90
Bracket, hanging/wall (3/8" female) 115mm - Nylon	100810-115

When ordering wire hanger for 168mm pipe hanger, an adapter will be supplied.

Hanging Wire System

	Part Number
Wire Hanger 15ft lengths x pk of 10 (3/8" Thread)	<i>wire cutters included</i> 100830-15



Wall Bracket Kits Include Bracket, Strap and Bolts

Wall Bracket Kit

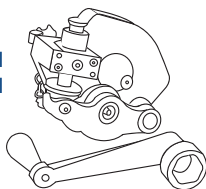
Wall Bracket Kit

	Part Number
Wall Bracket with Pipe Strap & Bolts 70mm	100835-70
Wall Bracket with Pipe Strap & Bolts 90mm	100835-90
Wall Bracket with Pipe Strap & Bolts 115mm	100835-115

Replacement Seals

Replacement Seal, 70mm Standard	100921-70-T
Replacement Seal, 70mm High Temperature	100921-70-O
Replacement Seal, 90mm Standard	100921-90-T
Replacement Seal, 90mm High Temperature	100921-90-O
Replacement Seal, 115mm Standard	100921-115-T
Replacement Seal, 115mm High Temperature	100921-115-O
Replacement Seal, 168mm Standard	100921-168-T
Replacement Seal, 168mm High Temperature	100921-168-O

Manual Grooving Tool



Tools

Manual Grooving Tool	100950-M
Manual Grooving Tool Rental (Weekly rental, Call)	100950-M-R
Groove Inspection Gauge	100952-G

www.elevationpiping.com





Specifications

Elevation Technical Specifications:

Max Working Pressure	220 PSI (15 BAR)
Max Working Temperature	-4°F to 176° F (100% Duty)
Tubing Material	Aluminum, ASTM 6061-T4 (Marine Grade)
Tubing Weight	70 mm - 0.86 lbs./ft 90 mm - 1.04 lbs./ft 115 mm - 1.15 lbs./ft 168 mm - 3.12 lbs./ft
Standard Seals	(-4° F to 176° F) Nitrile Rubber
High Temperature Seals	(-4° F to 300° F) Fluoroelastomer
Fittings	Aluminum, B-26, 356-T6
Couplings	Ductile Iron, Galvanized, grade 65-45-12
Standards & Approvals	ASME B31.1 Power Piping ASTM F-1476 BOCA CSA B-242 SBCCI

Elevation System Flow Rates:

	Cu Ft/min			
	70 mm	90 mm	115 mm	168 mm
100 PSI	948	1955	3844	10078
125 PSI	1064	2162	4205	11194
150 PSI	1169	2364	4591	12153
220 PSI	1417	2937	5568	14740

Above flow rates are based on straight line flow allowing for a 1psi pressure drop per/100ft over pipe and couplings.
For loop systems, flow rates are doubled, i.e. 90mm tubing at 100 psi flows 3910 cfm



www.elevationpiping.com

High Quality Aluminum Piping Systems

By-passes are a snap with our integrated fitting design



Transform your compressor room into a show piece



Seamless integration between Elevation and Infinity



Complex piping scenarios become clean and efficient



Easy transitions from any existing piping system



Well suited for indoor or outdoor applications



www.elevationpiping.com



High Quality Aluminum Piping Systems



email sales@elevationpiping.com
or
Call Toll Free: 1 (855) 777-4432

10 Year Guarantee

Applied System Technologies warrants its pipe and fitting components to be free of leaks due to manufacturing defects for a period of 10 years from date of sale. This Express warranty is in lieu of and excludes all other warranties, guarantees or representations, express or implied, by operation of law or otherwise, including any warranty that the materials are suitable for the buyer's requirements or special use. System must be installed by an AST approved technician.

Applied System Technologies agrees to replace any component proven to have a manufacturing defect.

Applied System Technologies shall not be liable for any consequential damages nor for loss, damage or expenses directly or indirectly arising from the use of the product.



Email:
sales@elevationpiping.com

or Call Toll Free:
1 (855) 777-4432

Nothing contained on these pages is intended to extend any warranty or representation, expressed or implied, regarding the product described herein. Any such warranties or other terms and conditions of sale of products shall be in accordance with Applied System Technologies standard terms and conditions for such products, which are available upon request.

Product improvement is a continuing goal at Applied System Technologies. Designs and specifications are subject to change without notice or obligation.